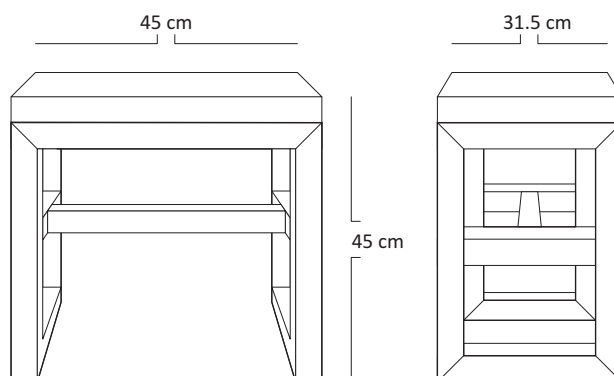


MONACO STOOL

HDS38



Description :

Elegantly designed straight cut stool. Stainless Steel grade 304 base that is corrosion resistant. Handselected Solid Teak Wood top with a floating construction that allows for timber movement and minimises warping.

Finishing :



Natural

Dimensions :

Total Width : 45 cm
Total Depth : 31.5 cm
Height : 45 cm

Packaging :

Weight : 9.6 kg /Unit
Volume : 0.14 m³
Packing : 2 / Box

